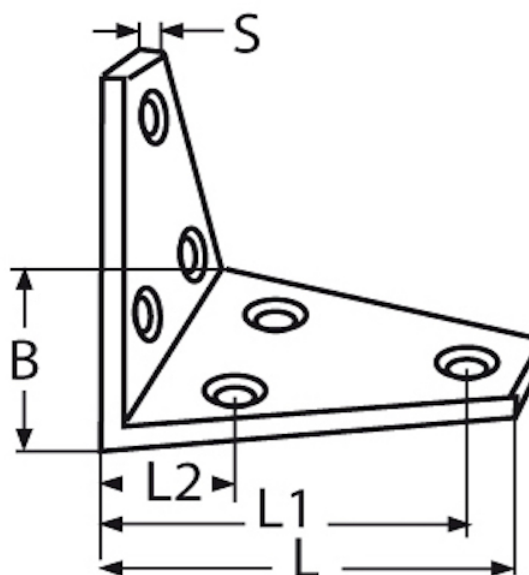


Stainless Steel Corner Angle Brackets



Product	B (mm)	L (mm)	S (mm)	L2 (mm)	L1 (mm)	Screw Hole Dia (mm)
25mm Stainless Steel Angle Bracket	25	41	3	18	35	5
35mm Stainless Steel Angle Bracket	35	56	3	18.5	47.5	5
50mm Stainless Steel Angle Bracket	50	80	3	24	71	5

Note - Product sizes are liable to change from time to time, if your dimension requirements are critical, please contact us.