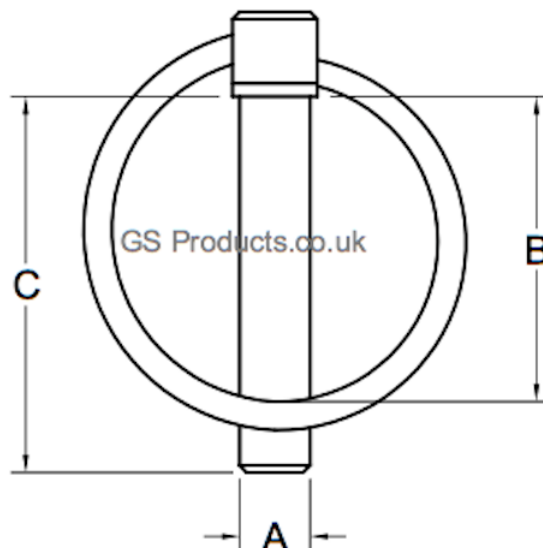


Stainless Steel Linch Pins with Retaining Wire & Tab



Product	A (mm)	B (mm)	C (mm)	Wire Length (mm)	Tab Hole (mm)
4.4mm Stainless Steel Linch Pin Retaining Wire	4.4	39	42	200	5.2
6mm Stainless Steel Linch Pin Retaining Wire	6	44	48	200	5.2
7.9mm Stainless Steel Linch Pin Retaining Wire	7.9	40	48	200	5.2
10.6mm Stainless Steel Linch Pin Retaining Wire	10.6	40	47	200	5.2

Note - Product sizes are liable to change from time to time, if your dimension requirements are critical, please contact us.